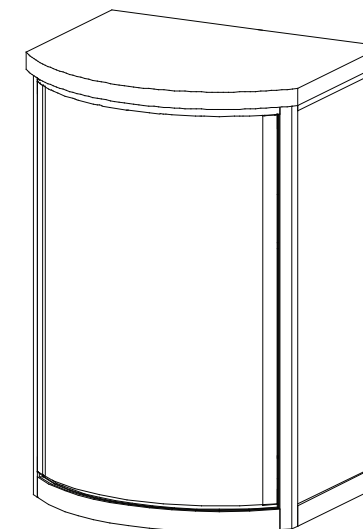
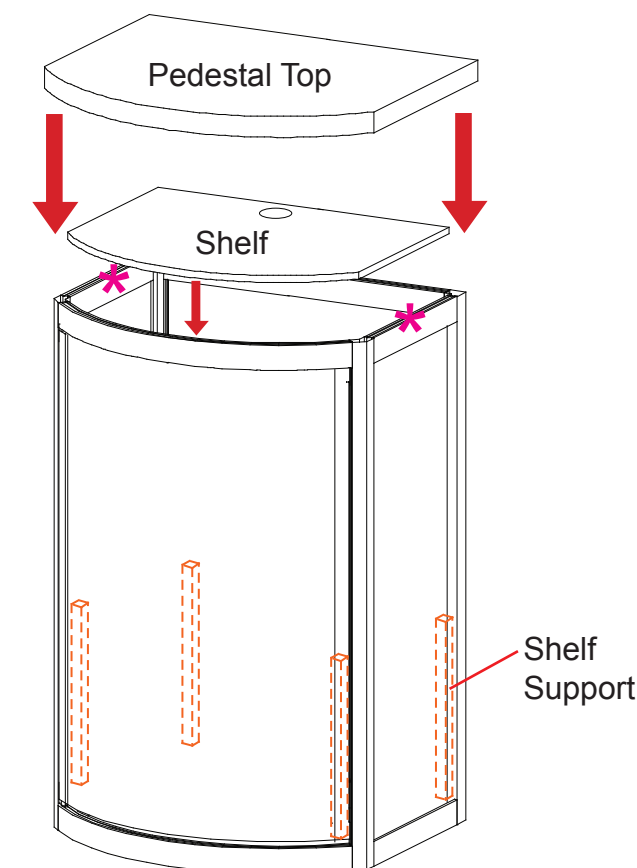
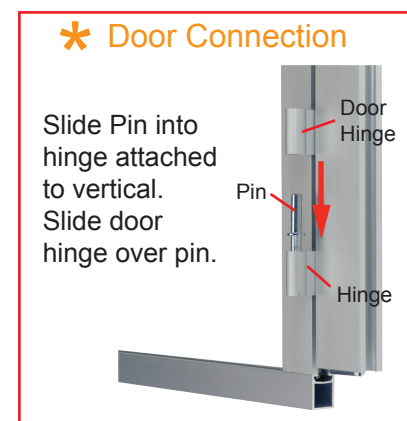
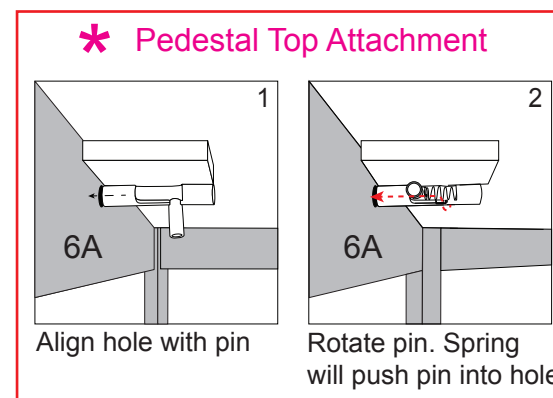
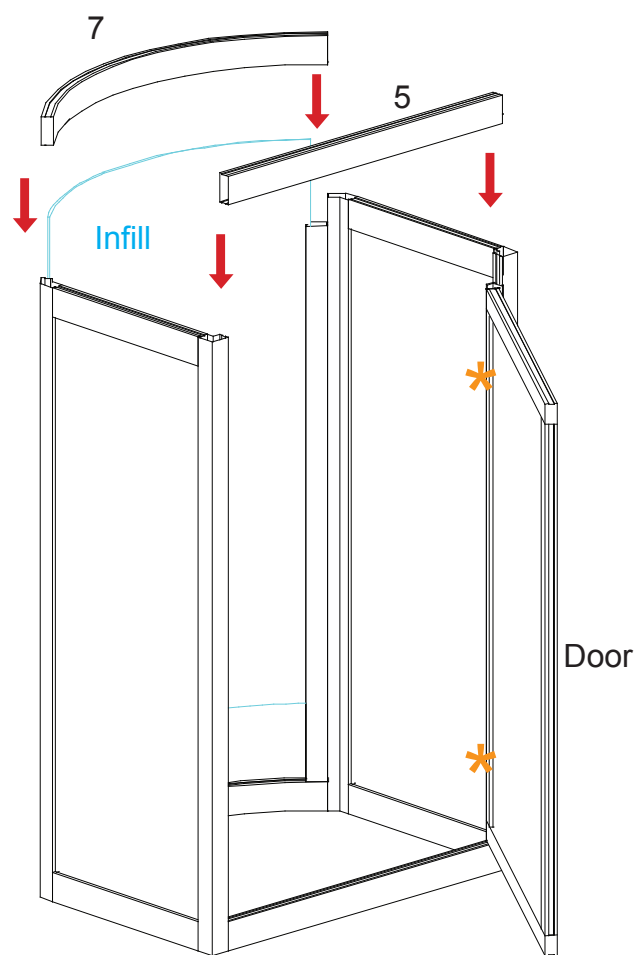
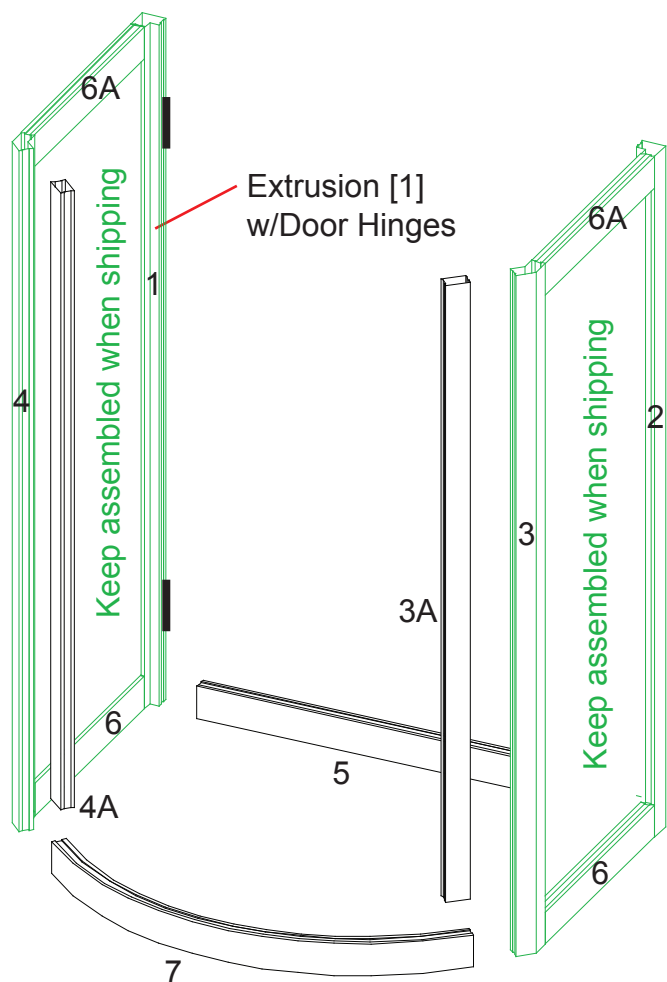


Item	Qty.	Description
1	1	38" Vertical Extrusion w/ Door Hinges
2	1	38" Vertical Extrusion w/ Door Stop
3	1	38" Vertical Extrusion
4	1	38" Vertical Extrusion
5	2	22.0197" Horizontal Extrusion
6/6A	2/2	12.5" Horizontal Extrusion
7	2	25.639" Curved Extrusion

- Steps**
- 1) Attach horizontal extrusions [5] & [7] between assemblies [1,4,6,6A] & [2,3,6,6A].
 - 2) Connect vertical extrusions [3A] & [4A] on top of horizontal extrusion [7].
 - 3) Attach assembled door to vertical extrusion [1]. See **Door Connection** detail.
 - 4) Slide **Infill** between verticals [3A] & [4A].
 - 5) Attach upper horizontal extrusions [5] & [7] between assemblies and on top of **Infill**.
 - 6) Connect Velcro on shelf supports to inside of assemblies then set shelf on top of supports.
 - 7) Place pedestal top on assembled pedestal. See **Pedestal Top Attachment** detail.



Completed Pedestal Assembly



General Setup Instructions

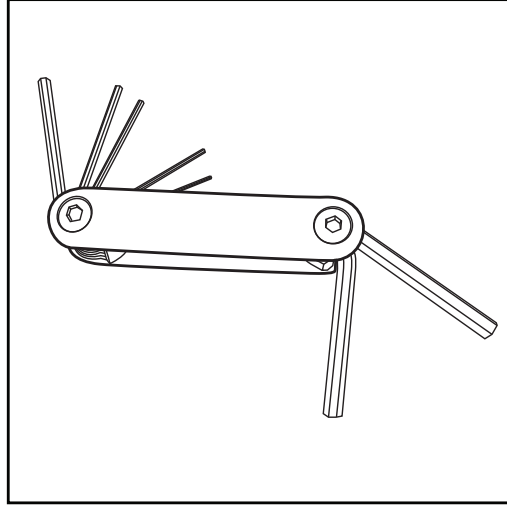
- Read entire setup instruction manual prior to unpacking parts and pieces.
- The setup instructions are created specifically for this configuration.
- Setup instructions are laid out sequentially in steps, including exploded views with detailed explanation for assembly.

Cleaning & Packing

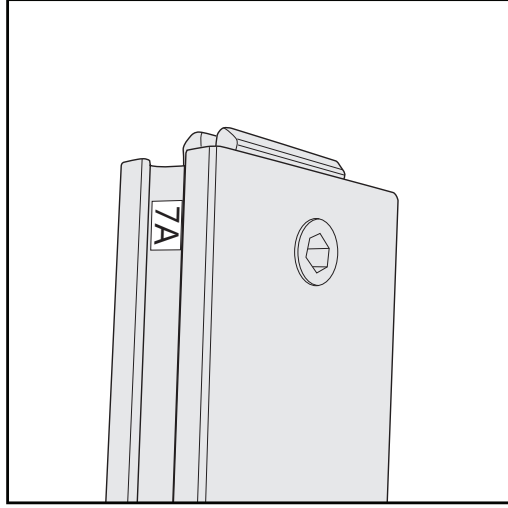
- For Cleaning Metal, Plex, & Laminate Parts: Use a **MILD NON-ABRASIVE** cleanser and soft cloth/paper towel to clean all surfaces.
- Keep exhibit components away from heat and prolonged sun exposure.
Heat and UV exposure will warp and fade components.
- Retain all provided Packing Materials. All provided packing materials are for ease of repacking & component protection.

Disassembly

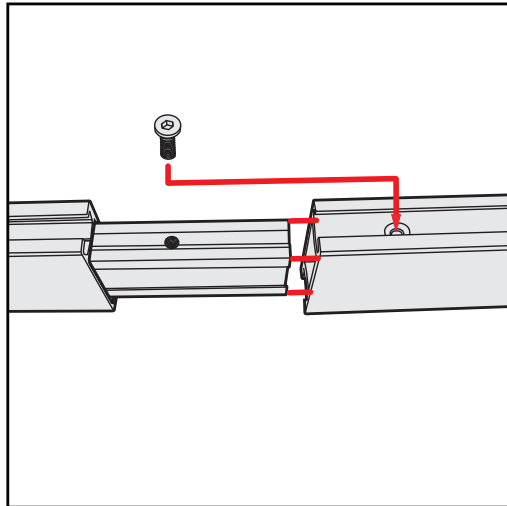
- For loss prevention, tighten all setscrews and locks during disassembly



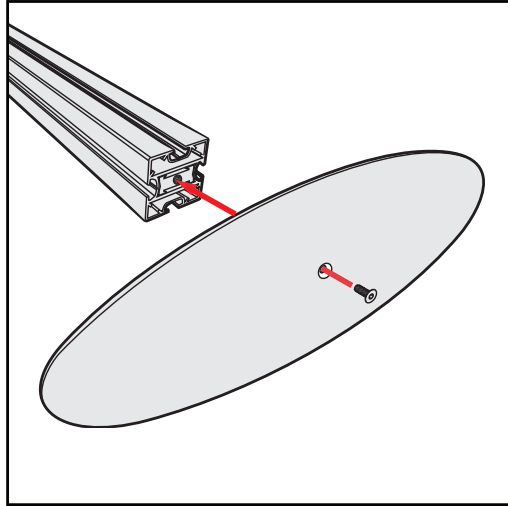
Hex Tool - Essential for Assembly



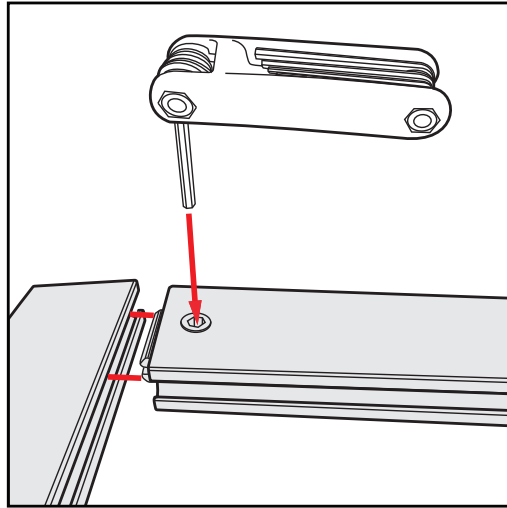
Part Identification - Numbering



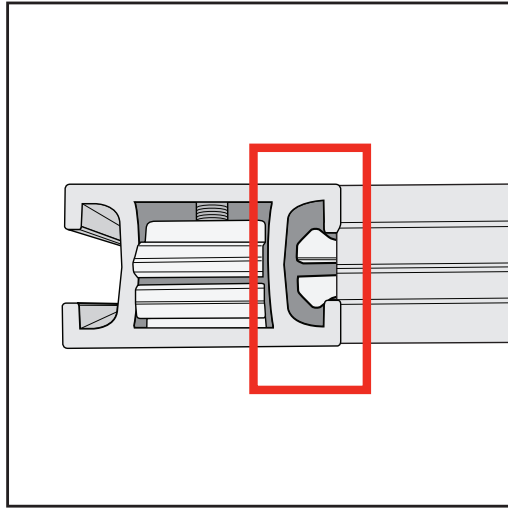
Spline Connection



Base Plate & Extrusion Connection



Extrusion & Lock Connection



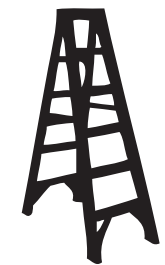
Engaged Lock



WARNING



DO NOT USE POWER TOOLS



LADDERS OR LIFTS
MAY BE REQUIRED



ALL CONNECTIONS MUST
BE TIGHTLY SECURED